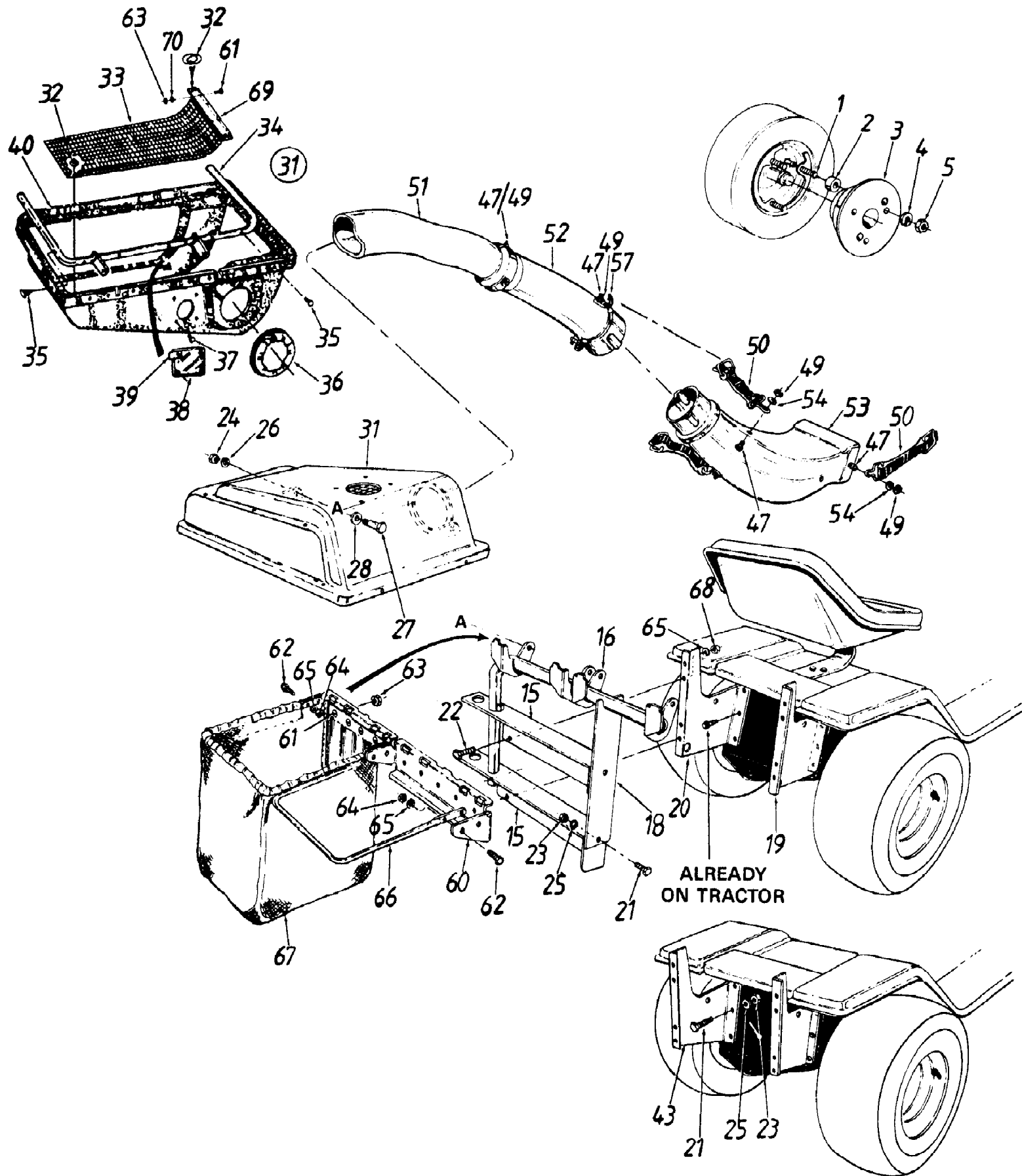


190-064-190 Rear Bagging Grass Catcher (1989)  
Grass Collector Double Bag



190-064-190 Rear Bagging Grass Catcher (1989)  
Grass Collector Double Bag

Ref #	Part Number	Qty	S/P/F	Description
1	16810	1	S	Wheel Weight Snap Ring
2	750-0527	1		Spacer
3	723-0414	1		Wheel Weight
4	736-0119	1	S	Lock Washer 5/16" I.D.
5	712-0267	1	S	Hex Nut 5/16-18 Thread
15	16587A	1	S	Catcher Support Tube Mtg. Brkt.
16	16588	1	S	Catcher Support Tube Assy.
18	16593	1	S	Catcher Latch and Support Brkt.
19	16610B	1	S/F	Grass Catcher Support Brkt.-R.H.
20	16611B	1	S/F	Grass Catcher Support Brkt.-L.H.
21	710-0118	1	S	Hex Bolt 5/16-18 x .75" Lg.*
22	710-0751	1	/P	Hex Bolt 1/4-20 x .62" Lg.-Grade 5
23	712-0267	1	S	Hex Nut 5/16-18 Thd.*
24	712-0798	1	/P	Hex Nut 3/8-16 Thd.
25	736-0119	1	S	L.-Wash. 5/16" I.D.*
26	736-0169	1	S	L.-Wash. 3/8" I.D.*
27	738-0380	1	S	Shld. Bolt 3/8-16 x .500" Dia.
28	736-0253	1	S	Bell.-Wash. .505" I.D. x 1.00" O.D.
31	16594A	1		Grass Catcher Cover Assy.
32	726-0258	1		Twist Fastener
33	723-0382A	1	S	Screen
34	16596	1	S	Hinge Brkt. Assy.
35	710-1005	1	S	Hex Tap Scr. 1/4-20 x .5" Lg.
36	723-0384	1	S	Seal
37	710-0351	1	/P	Truss Mach. B-Tap Scr. #10 0 x .5" Lg.
38	731-0824	1	S	Plastic Plate
39	726-0244	1	S	Speed Nut
40	731-0821	1		Grass Catcher Cover
43	16672A	1	S/F	Grass Catcher Support Brkt.
47	710-0289	1	S	Hex Bolt 1/4-20 x .50" Lg.
49	712-0324	1	/P	Hex Ins. L.-Nut 1/4-20 0 Thd.
50	723-0383	1	S	Retainer Strap Assy.
51	731-0825	1		Catcher Elbow
52	731-0826	1	S	Catcher Tube
53	731-0827A	1	S	Discharge Chute
54	736-0175	1	S	L.-Wash. .27" I.D.
57	16606	1	S	Retainer Hook Brkt.
60	16591	1	S	Bag Frame Hanger Brkt.
61	710-0473	1	/P	Truss Mach. Scr. #10-24 0 x .50" Lg.
62	710-0412	1	/P	Hex Bolt 1/4-28 x .75" Lg.
63	712-0272	1	/P	Hex Sems Nut #10-24 0 Thd.
64	712-0138	1	S	Hex Nut 1/4-28 Thd.*
65	736-0329	1	S	L.-Wash. 1/4" I.D.*
66	749-0701	1	S	Catcher Bag Frame
67	764-0221	1	S	Grass Catcher Bag
68	712-0287	1	S	Hex Nut 1/4-20 Thd.*
69	16595A	1		Screen Mtg. Brkt.
70	736-0400	1	S	Flat Wash. 1/4" I.D.